

OZONATOR

The Ozonator is a natural, safe way to purify water in many different applications. Common uses include hot tubs, whirlpool baths, swimming pools, water bottling plants, water vending machines and household water systems. It eliminates the need for chemicals which can be irritating to people and costly to budget. The Ozonator converts Oxygen (O₂) into (O₃) by the action of the corona discharge system. Ozone is then injected into the water where it destroys viruses, bacteria and many other micro-organisms. taste, odor and color disappear and iron oxide, hydrogen sulphide, lignite and tannin are precipitated out, leaving your water pure and clean.

TWT-15-SW-400	Ozone Generator 0.4 grams/hr. 120V / 60Hz
TWT-15-SW-400-2	Ozone Generator 0.4 grams/hr. 230V / 50Hz
TWT-15-SW-800-1	Ozone Generator 0.8 grams/hr. 120V / 60Hz
TWT-15-SW-800-2	Ozone Generator 0.8 grams/hr. 230V / 50Hz



TWT-15-SW-400

DRYER & VENTURI

This unit is a vacuum dryer that will greatly enhance the ozone production. The SVD-1 dries the input air, therefore generating more oxygen and by default, more ozone. The venturi is used to inject the ozone into the water, and this completes the system needed to purify your water.

TWT-15-SVD1-1	Vacuum Drier – One-Tube 120V / 60Hz (for SW-400)
TWT-15-SVD1-2	Vacuum Drier – One-Tube 230V / 50Hz (for SW-400)
TWT-15-SVD2-1	Vacuum Drier – Two-Tube 120V / 60Hz (for SW-800)
TWT-15-SVD2-2	Vacuum Drier – Two-Tube 230V / 50Hz (for SW-800)

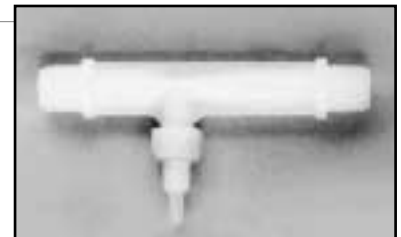


TWT-15-SVD1-1

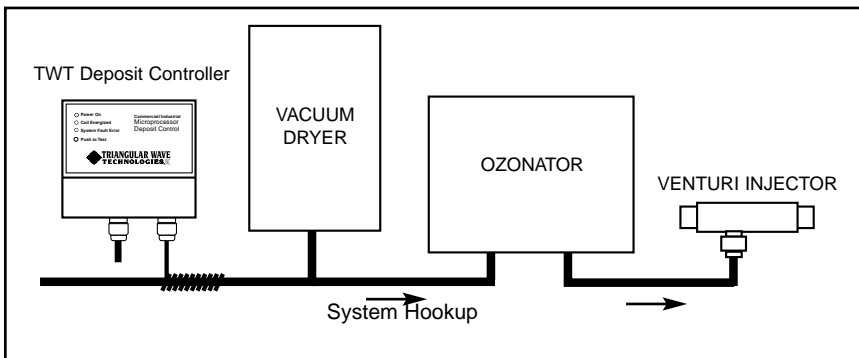
VENTURI

TWT-VI-50	Venturi Injector 1/2"
TWT-VI-100	Venturi Injector 1"

Both the SW-400 and the SVD-1 are easy to install and operate continuously and automatically, using no more current than an ordinary light bulb!



TWT-VI-50



Larger volume systems available upon request